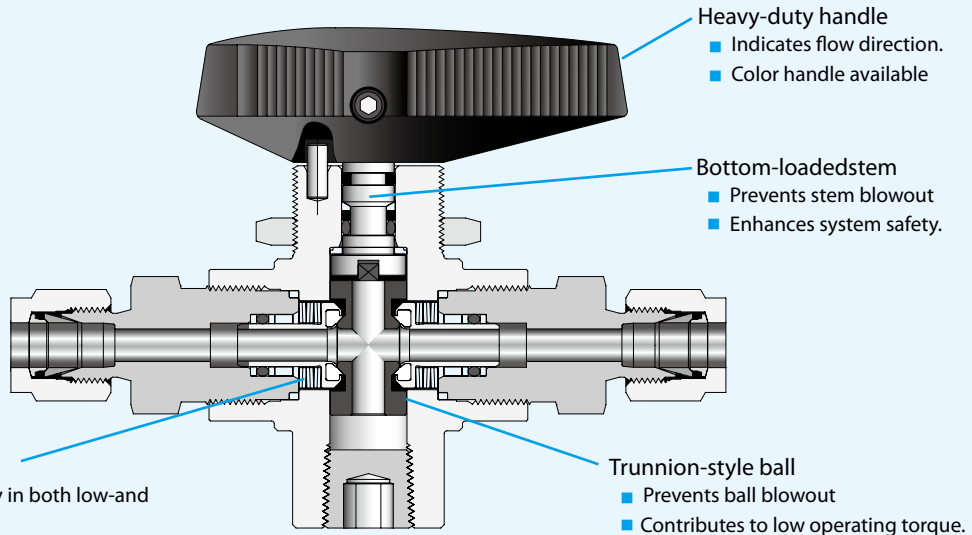
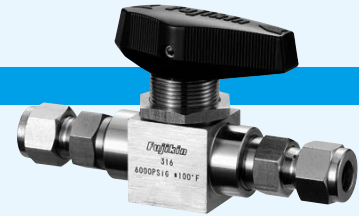


[41.3MPa] [68.9MPa] Trunnion Type

Features

1. Compact, maximum-flow design
2. Low operating torque
3. Flow Pattern: 2-way Type, 3-way Type
4. Panel mountable



Important Information About Ball Valves

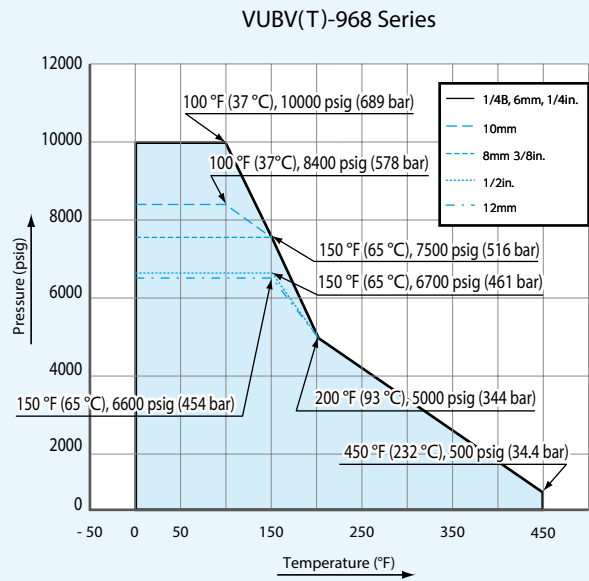
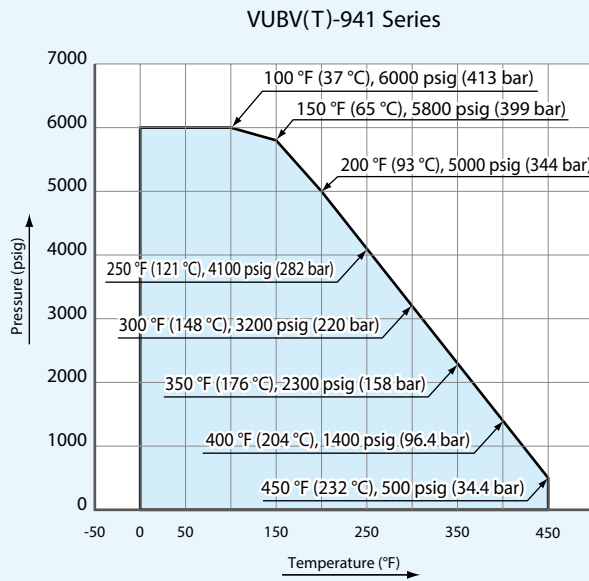
1. **Fujikin** ball valves are designed to be used in a fully open or fully closed position.
2. Valves that have not been cycled for a period of time may have a higher initial actuation torque.

Technical Data

Working Pressure, Temperature Rating

| Types | Seat Material | Temperature Rating °F (°C) | Pressure Rating psig (bar) |
|---------------------|---------------|----------------------------------|----------------------------------|
| VUBV -941 Series | PEEK | 0 to 450 (-17 to 232) | 6000 (413) |
| VUBV (T)-968 Series | | | 6600 to 10000 (454 to 689) |

Temperature and Pressure Rating



Note1: Please contact Fujikin beforehand if you are planning to use these valves at lower temperature than 32 °F (0°C).

Note2: If the end connection is **New V-Lok** type, the working pressure may be low depending on the tube used.

For details, please refer to 1-1, 1-2 in the table of P12.

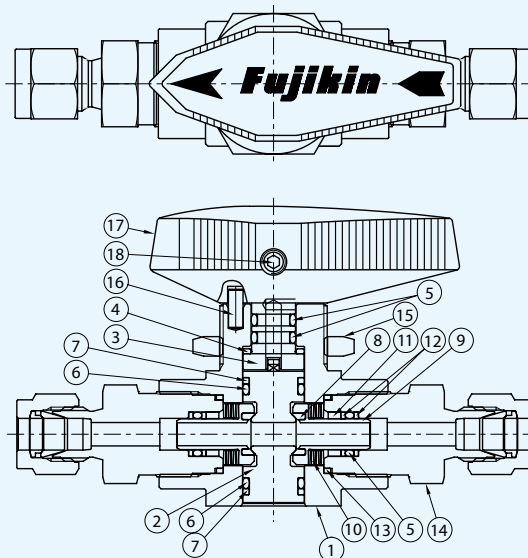
Applicable Fluid

Air, Nitrogeh gas, Inert gas like Helium, and non-corrosive gas and liquid.

Materials of Construction

VUBV-941 Series

2-way Type



| No. | Description | Materials |
|-----|-----------------------------|-----------------------------------|
| 1 | BODY ※ | ASTM A479 316 |
| 2 | BALL ※1 ※ | ASTM A276 316 |
| 3 | STEM | ASTM A276 316 |
| 4 | STEM BEARING | C-PTFE |
| 5 | O-RINGS(1) ※ | FKM |
| 6 | O-RINGS(2) ※ | FKM |
| 7 | BACKUP RINGS | C-PTFE |
| 8 | SEATS ※ | PEEK |
| 9 | SEAT CARRIERS ※ | ASTM A276 316 |
| 10 | DISC SPRINGS ※ | ALLOY X-750 |
| 11 | SEAT CARRIER GUIDES ※ | ASTM A276 316 |
| 12 | SEAT CARRIER BACKUP RINGS ※ | C-PTFE |
| 13 | END SCREW SEALS ※ | PTFE |
| 14 | END SCREWS ※ | ASTM A479 316 |
| 15 | PANEL NUT | ASTM A276 304 or ASTM A276 316 |
| 16 | STOP PIN | SUS304 |
| 17 | HANDLE | PHENOLIC RESIN + C3604B |
| 18 | SET SCREW | S17400 or SUS630 |

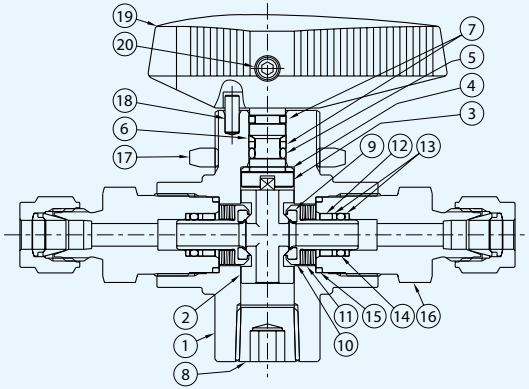
※ : Wetted part

※1 : Ball trunnions are PTFE coated.

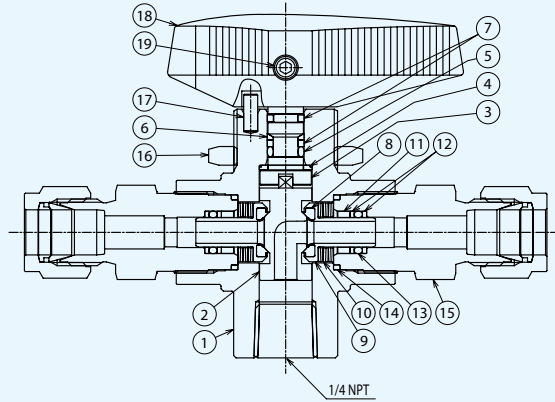
Materials of Construction

VUBV,VUBVT-968 Sereis

2-way Type



3-way Type



| No. | Description | Materials |
|-----|------------------------------|-----------------------------------|
| 1 | BODY ※1 | ASTM A479 316 |
| 2 | BALL ※1 ※2 | ASTM A276 316 |
| 3 | STEM | ASTM A276 316 |
| 4 | STEM BEARING | PEEK |
| 5 | STEM O-RING ※1 | FKM |
| 6 | STEM BACKUP RING1 | PEEK |
| 7 | STEM BACKUP RING2 | PTFE |
| 8 | PLUG ※1 | ASTM A479 316 |
| 9 | SEATS ※1 | PEEK |
| 10 | SEAT CARRIERS ※1 | ASTM A276 316 |
| 11 | DISC SPRINGS ※1 | ALLOY X-750 |
| 12 | SEAT CARRIER GUIDES ※1 | ASTM A276 316 |
| 13 | SEAT CARRIER BACKUP RINGS ※1 | C-PTFE |
| 14 | SEAT CARRIER O-RINGS ※1 | FKM |
| 15 | END SCREW SEALS ※1 | PTFE |
| 16 | END SCREWS ※1 | ASTM A479 316 |
| 17 | PANEL NUT | ASTM A276 304 or ASTM A276 316 |
| 18 | STOP PIN | SUS304 |
| 19 | HANDLE | PHENOLIC RESIN + C3604B |
| 20 | SET SCREW | S17400 or SUS630 |

| No. | Description | Materials |
|-----|------------------------------|-----------------------------------|
| 1 | BODY ※1 | ASTM A479 316 |
| 2 | BALL ※1 ※2 | ASTM A276 316 |
| 3 | STEM | ASTM A276 316 |
| 4 | STEM BEARING | PEEK |
| 5 | STEM O-RING ※1 | FKM |
| 6 | STEM BACKUP RING1 | PEEK |
| 7 | STEM BACKUP RING2 | PTFE |
| 8 | SEATS ※1 | PEEK |
| 9 | SEAT CARRIERS ※1 | ASTM A276 316 |
| 10 | DISC SPRINGS ※1 | ALLOY X-750 |
| 11 | SEAT CARRIER GUIDES ※1 | ASTM A276 316 |
| 12 | SEAT CARRIER BACKUP RINGS ※1 | C-PTFE |
| 13 | SEAT CARRIER O-RINGS ※1 | FKM |
| 14 | END SCREW SEALS ※1 | PTFE |
| 15 | END SCREWS ※1 | ASTM A479 316 |
| 16 | PANEL NUT | ASTM A276 304 or ASTM A276 316 |
| 17 | STOP PIN | SUS304 |
| 18 | HANDLE | PHENOLIC RESIN + C3604B |
| 19 | SET SCREW | S17400 or SUS630 |

※1 : Wetted part

※2 : Ball trunnions are PTFE coated.

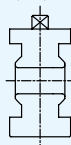
※1 : Wetted part

※2 : Ball trunnions are PTFE coated.

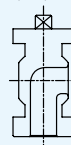
About a BALL shape

There is no No.8 PLUG when being 2-way Type, and it's different shape of No.2 BALL in 3-way Type.

2-way Type Ball

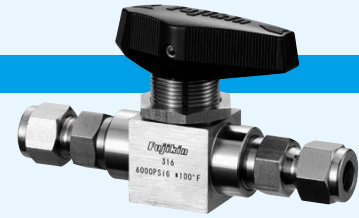


3-way Type Ball

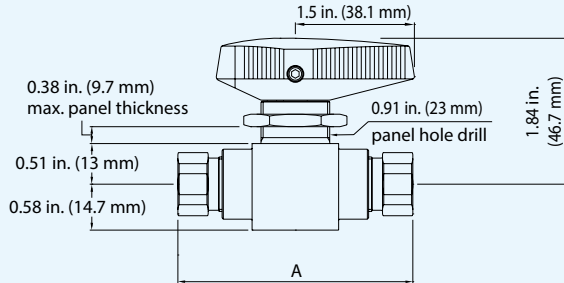


Ordering Information and Dimensions

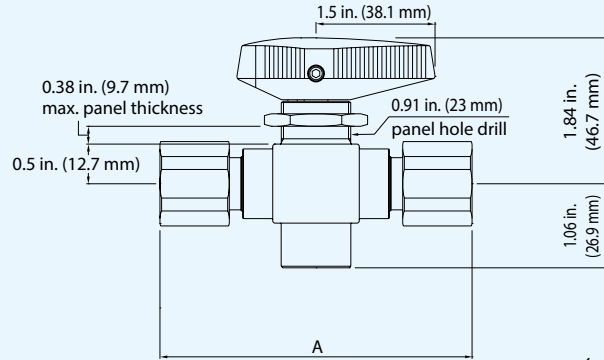
1. Dimensions, in inches (millimeters), are for reference only and are subject to change.
2. Dimensions shown with **New V-Lok** tube fitting nuts finger-tight.



VUBV-141, 941 Type



VUBV, VUBVT-168, 968 Type

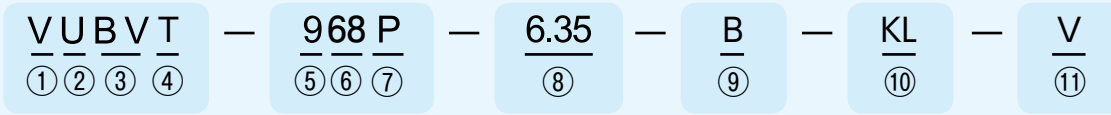


(Unit: mm)

| Flow Pattern | Connection | Nominal Sizes | Orifice Dia. inch(mm) | Dimensions inch (mm) | | Ordering Numbers | |
|--------------|------------|-----------------|-----------------------|----------------------|------------------|-------------------|--|
| | | | | A | | | |
| 2-way Type | New V-Lok | 1/4in. (6.35mm) | 0.19 (4.8) | 4.13 (105) | VUBV-941P-6.35-V | VUBV-968P-6.35-V | |
| | | 3/8in. (9.52mm) | | 4.41 (112) | VUBV-941P-9.52-V | VUBV-968P-9.52-V | |
| | | 1/2in. (12.7mm) | | 4.61 (117) | VUBV-941P-12.7-V | VUBV-968P-12.7-V | |
| | | 6mm | | 4.13 (105) | VUBV-941P-6-V | VUBV-968P-6-V | |
| | | 8mm | | 4.41 (112) | VUBV-941P-8-V | VUBV-968P-8-V | |
| | | 10mm | | 4.61 (117) | VUBV-941P-10-V | VUBV-968P-10-V | |
| | | 12mm | | 4.61 (117) | VUBV-941P-12-V | VUBV-968P-12-V | |
| | Female NPT | 1/4 | | 2.94 (74.7) | VUBV-141PBN | - | |
| | | | | 3.93 (99.8) | - | VUBV-168PBN | |
| 3-way Type | New V-Lok | 1/4in. (6.35mm) | 0.19 (4.8) | 4.13 (105) | - | VUBVT-968P-6.35-V | |
| | | 3/8in. (9.52mm) | | 4.41 (112) | - | VUBVT-968P-9.52-V | |
| | | 1/2in. (12.7mm) | | 4.61 (117) | - | VUBVT-968P-12.7-V | |
| | | 6mm | | 4.13 (105) | - | VUBVT-968P-6-V | |
| | | 8mm | | 4.41 (112) | - | VUBVT-968P-8-V | |
| | | 10mm | | 4.61 (117) | - | VUBVT-968P-10-V | |
| | | 12mm | | 4.61 (117) | - | VUBVT-968P-12-V | |
| | Female NPT | 1/4 | | 3.93 (99.8) | - | VUBVT-168PBN | |

※ : Bottom port of all 3-way type valves are 1/4 Female NPT.

Ordering Information



- | | | | |
|--|--|--|--|
| <p>① Valve Series</p> <p>② Body Material Stainless Steel</p> <p>③ Valve Type Ball Valves</p> <p>④ Flow Pattern Blank : 2-way Type T : 3-way Type</p> | <p>⑤ End Connections 1 : Thread Type 9 : New V-Lok Type</p> <p>⑥ Working Pressure 68 : 10000 psi (689 bar)</p> <p>⑦ Panel Nut</p> | <p>⑧ Connection Sizes 6.35 : New V-Lok 1/4in. 9.52 : New V-Lok 3/8in. 12.7 : New V-Lok 1/2in. 6 : New V-Lok 6mm 8 : New V-Lok 8mm 10 : New V-Lok 10mm 12 : New V-Lok 12mm BN : Female NPT 1/4</p> <p>Note: In the case of Thread Type, "-" is not added before ⑧.</p> | <p>⑨ Handle Color Blank : Black B : Blue G : Green YR : Orange RE : Red Y : Yellow</p> <p>⑩ Key Lock Type Blank : without Key Lock KL : with Key Lock</p> <p>⑪ New V-Lok Type</p> |
|--|--|--|--|

Option

HANDLE COLOR

Standard Handle Color is black.

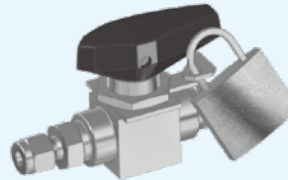
When you ordered a colored handle besides the black. Please put the relevant symbol to the part number end from beside table.

Ex. Ordering Number in case of you will order blue handle
VUBV-941P-6.35-B

| HANDLE Color | The end of Ordering Number |
|--------------|----------------------------|
| Black | — |
| Blue | -B |
| Green | -G |
| Orange | -YR |
| Red | -RE |
| Yellow | -Y |

Key Lock & Bracket ※

- Locking with standard parts for lock, and with a handle of flow direction locking certainly at open or close for 2-way valves
- Possible to fix a locking part on the hole in the bracket or install a distinction tag.
- After installing to a panel, it isn't possible to install a bracket.



※: Getting ready. Begin to sell it soon.

Seal Kit

You can buy a Seal Kit at the valve maintenance time.

| Valve Series | Kit Contents |
|-------------------------------|--|
| VUBV-941 Series (2-way Type) | <ul style="list-style-type: none"> INSTRUCTION MANUAL BALL STEM BEARING O-RING(1), O-RING(2) SEAT ASSEMBLY (SEAT + SEAT CARRIERS) DISC SPRING END SCREW SEALS LUBRICANT SDS of LUBRICANT |
| VUBV-968 Series (2-way Type) | <ul style="list-style-type: none"> INSTRUCTION MANUAL BALL STEM STEM BEARING STEM O-RING STEM BACKUP RING1, 2 SEAT ASSEMBLY (SEAT + SEAT CARRIERS) DISC SPRING END SCREW SEALS LUBRICANT SDS of LUBRICANT |
| VUBVT-968 Series (3-way Type) | <ul style="list-style-type: none"> INSTRUCTION MANUAL BALL STEM BEARING STEM O-RING STEM BACKUP RING1, 2 SEAT ASSEMBLY (SEAT + SEAT CARRIERS) DISC SPRING END SCREW SEALS LUBRICANT SDS of LUBRICANT |